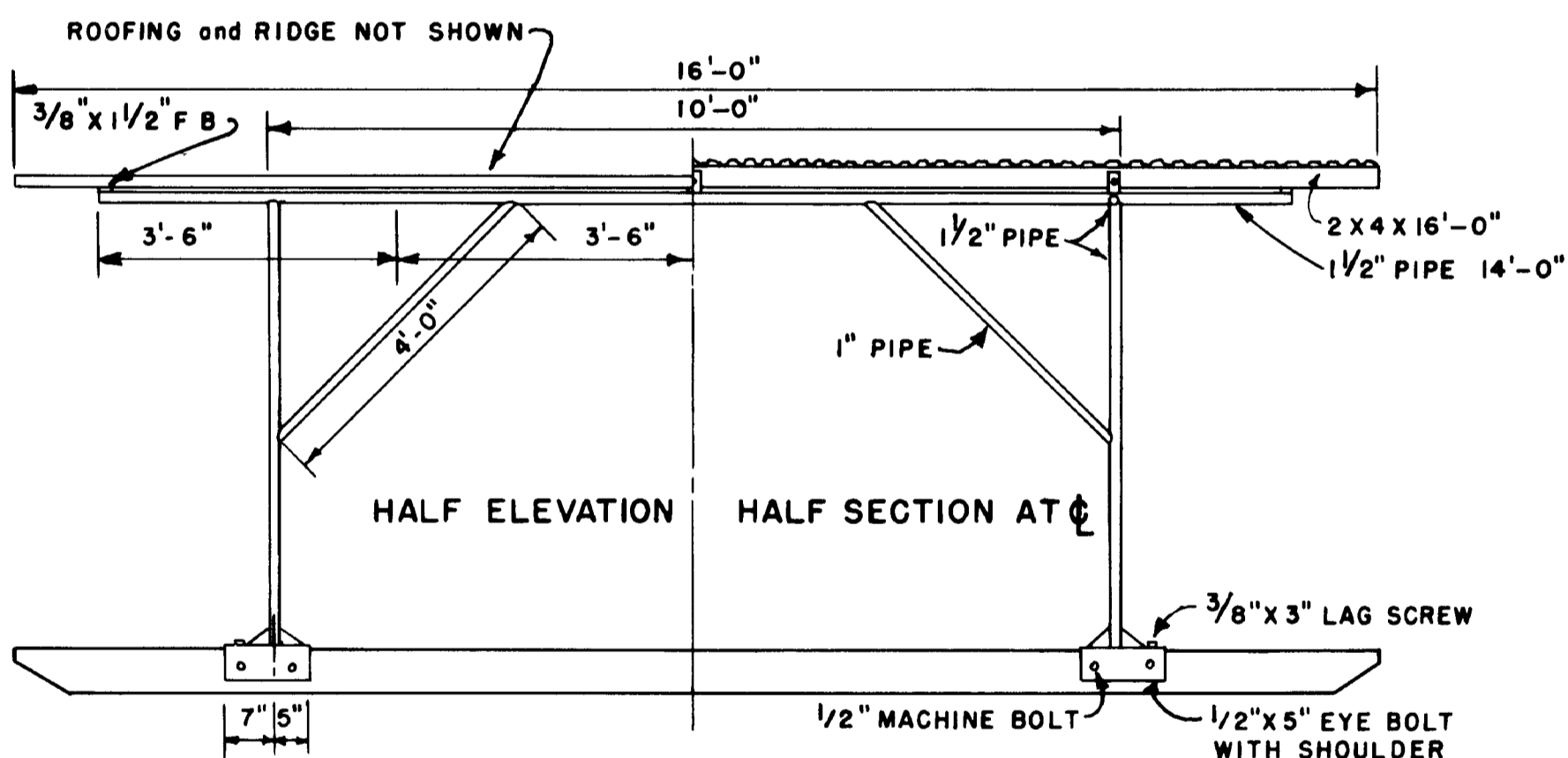
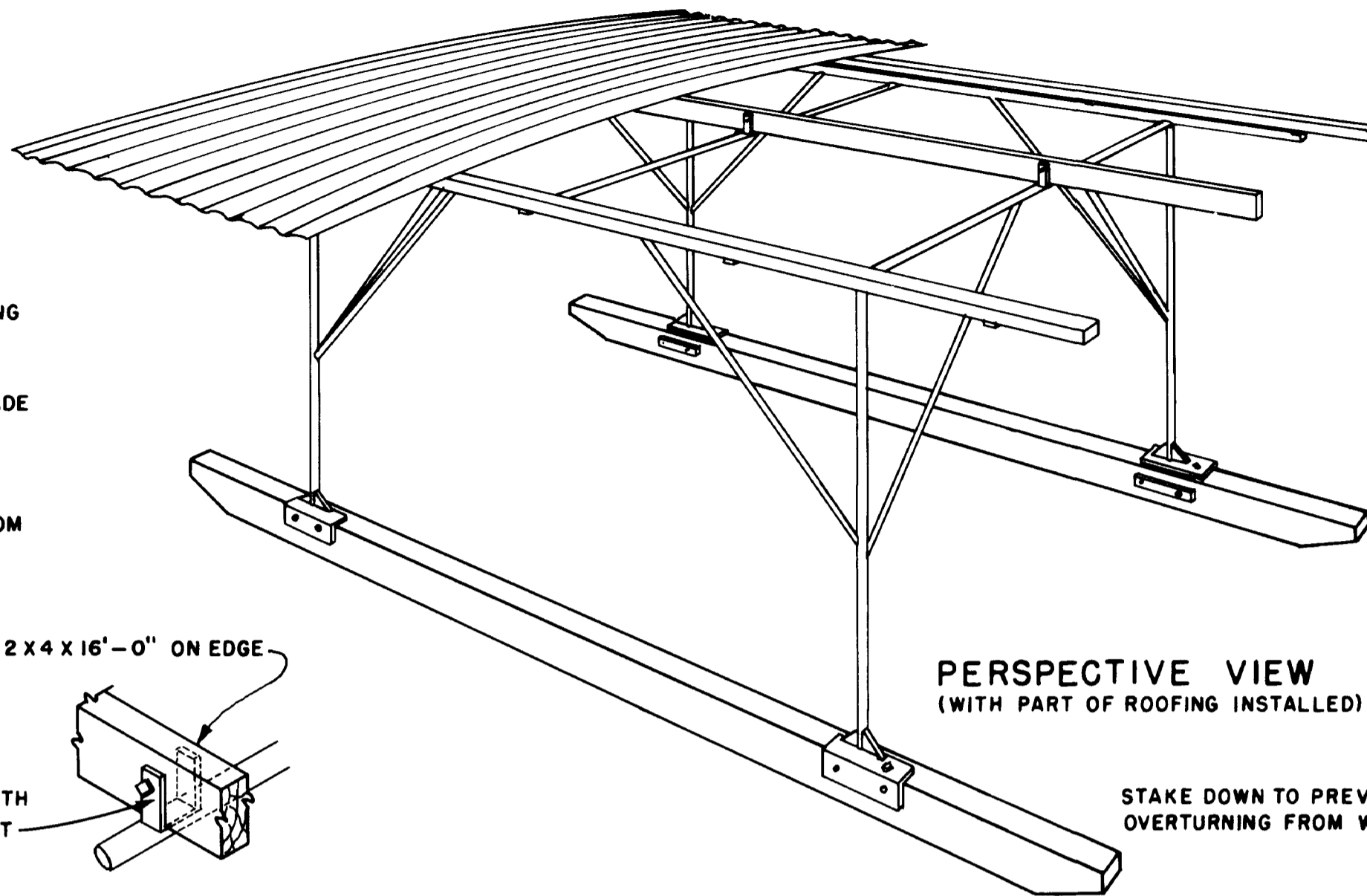
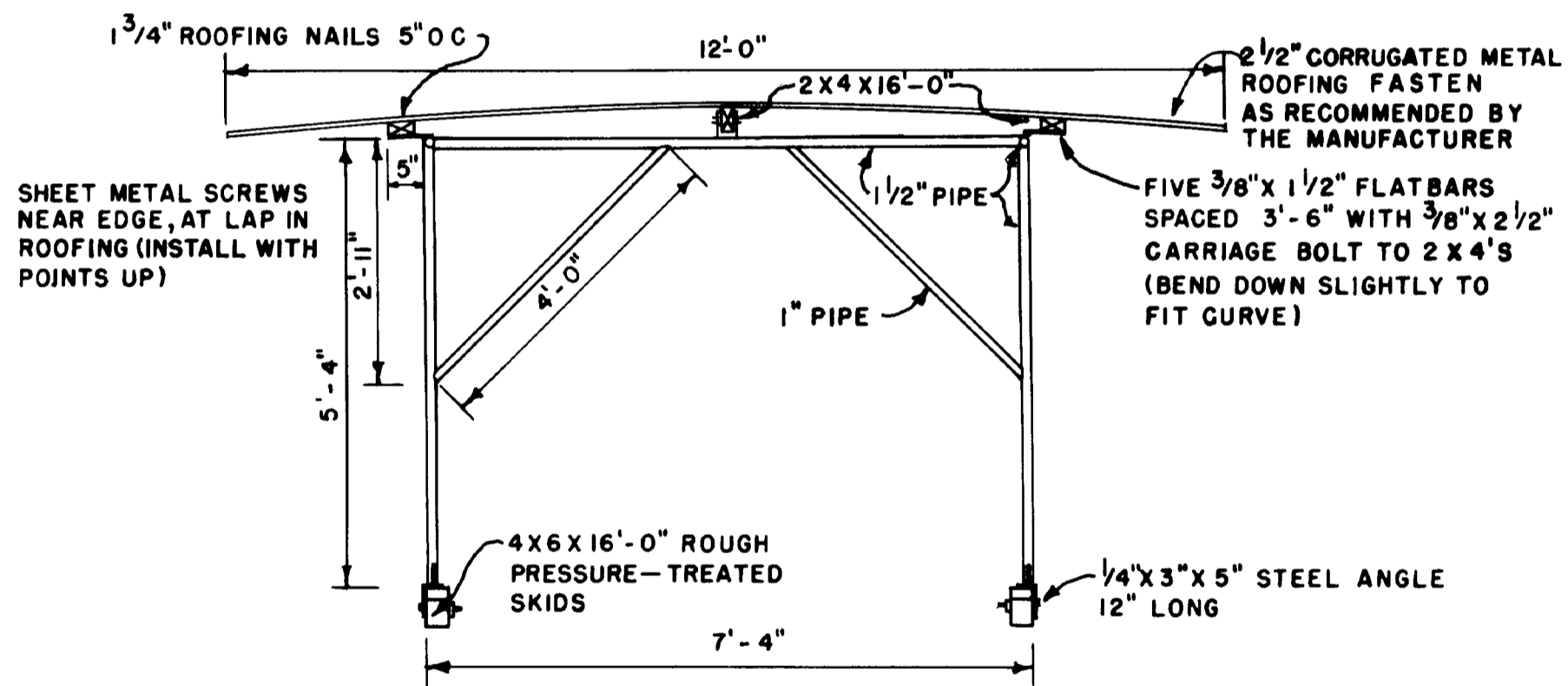


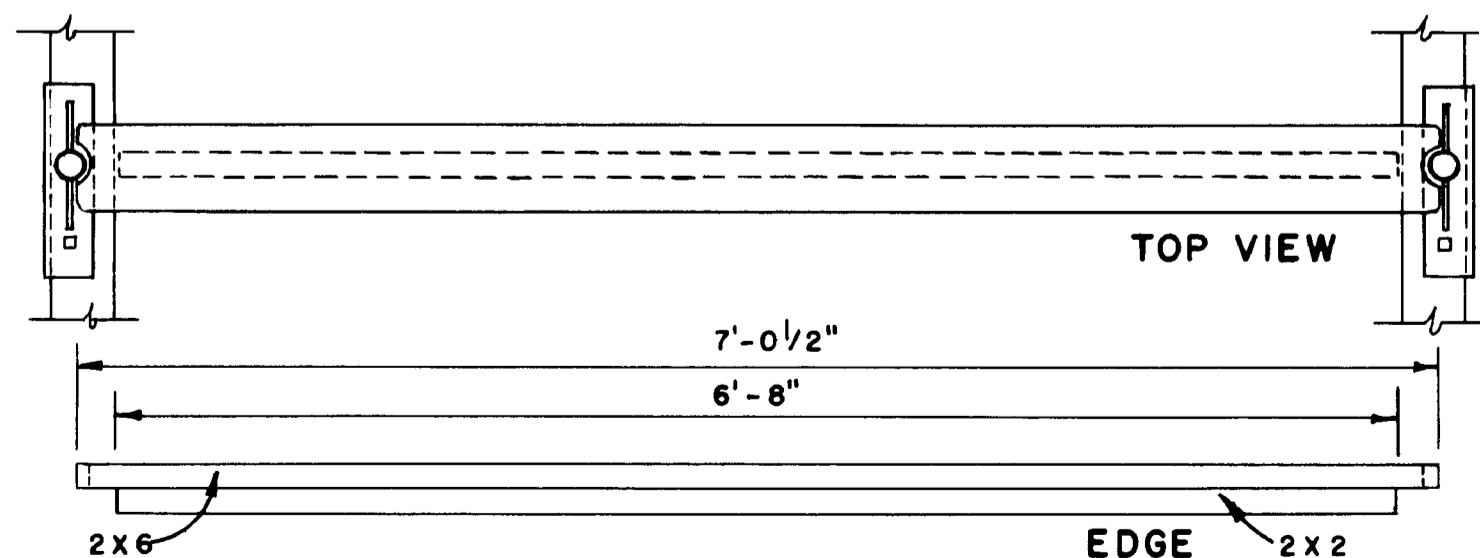
PLAN  
SCALE 1/2" = 1'-0"



SIDE VIEW  
SCALE 1/2" = 1'-0"

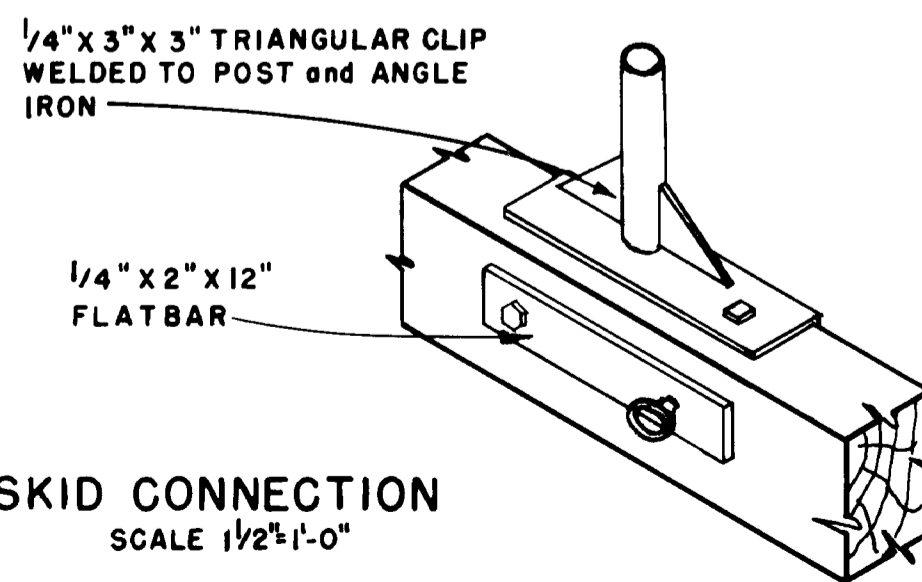


END VIEW  
SCALE 1/2" = 1'-0"



SPREADER STRUT  
SCALE 1" = 1'-0"

NOTE ONLY ONE REQUIRED REGARDLESS OF NUMBER OF SHADES USED



NOTE ALL METAL TO METAL CONNECTIONS WELDED EXCEPT WHERE OTHERWISE NOTED

COOPERATIVE EXTENSION WORK IN  
AGRICULTURE AND HOME ECONOMICS  
DEPARTMENT OF AGRICULTURAL ENGINEERING  
COLLEGE OF AGRICULTURE  
UNIVERSITY OF KENTUCKY  
AND  
UNITED STATES DEPARTMENT OF AGRICULTURE COOPERATING

PORTABLE SHADE FOR HOGS

USDA 1963 EX 5947 SHEET 1 OF 1

REVISED 1960