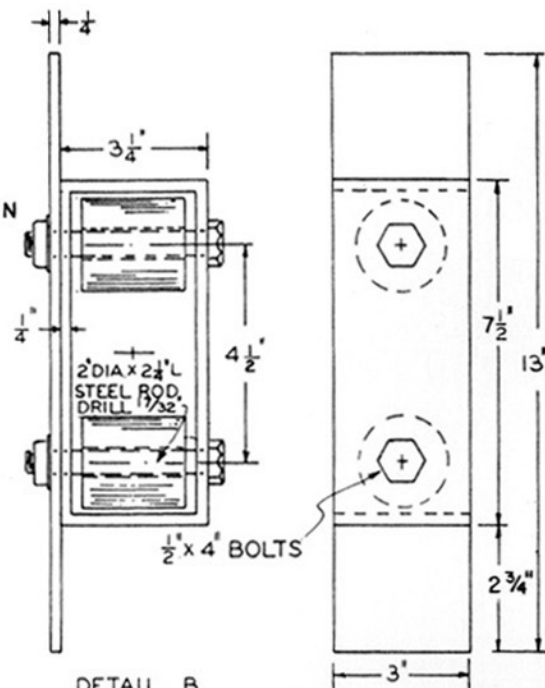
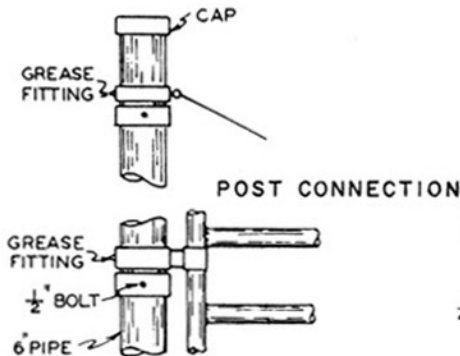
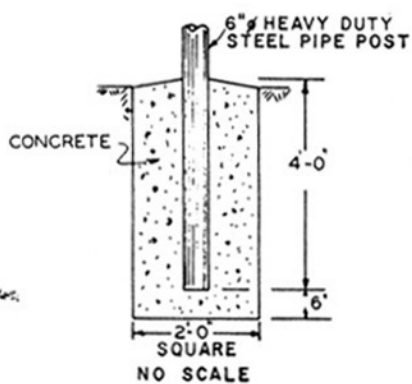
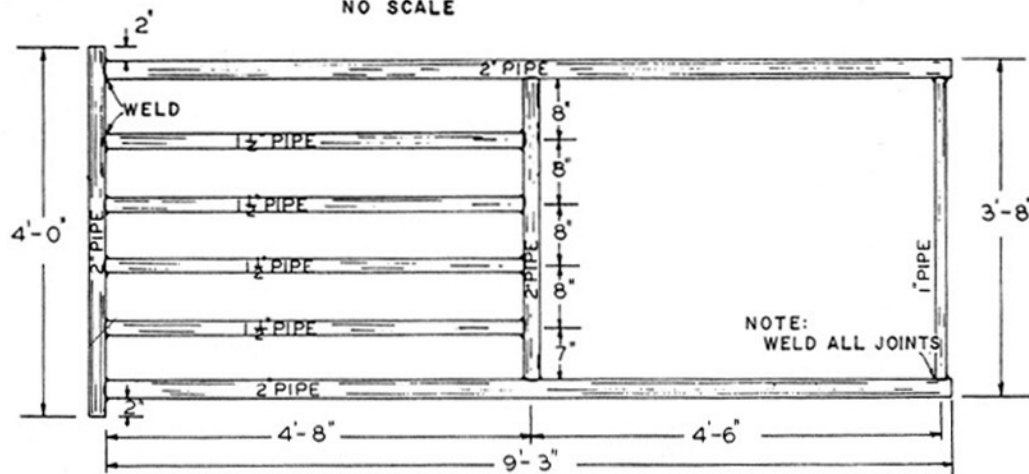


PICTORIAL VIEW

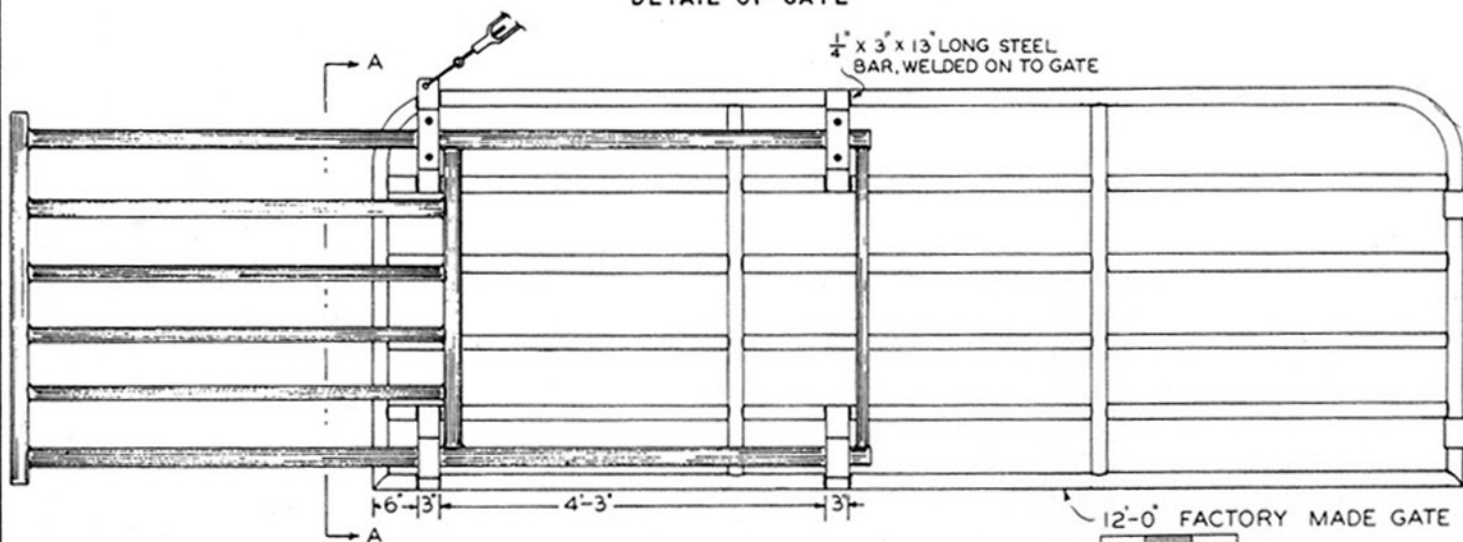


DETAIL B

0 1 2 3 IN.

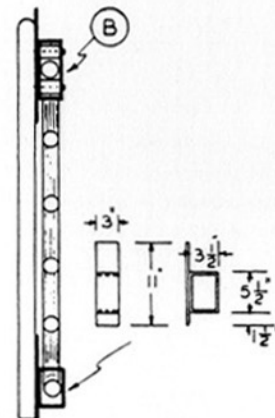


DETAIL OF GATE



GATE ASSEMBLY

SCALE: 0 1 FT.



SECTION A-A

BASED ON: OREGON STATE UNIV.
PLAN NO. BP 109

COOPERATIVE EXTENSION WORK IN
AGRICULTURE AND HOME ECONOMICS
DEPARTMENT OF AGRICULTURAL ENGINEERING
UNIVERSITY OF MARYLAND
AND
UNITED STATES DEPARTMENT OF AGRICULTURE COOPERATING

GATE
TELESCOPING TYPE
ORE. '72 6151 SHEET 1 OF 1